

Home biometrics  
Product book





1	Finger scanners	9
2	Control units	15
3	Cables and accessories	21

# Your distinctive finger is the key

## Secure access with your finger

With Glutz Home biometrics, fingerprint access is now possible for entrance doors in residential buildings. Only authorised persons are identified and granted access by the high-quality technology.

The compact system comprises a finger scanner and control unit for activation of the MINT SVM motorised multipoint lock or eAccess fittings.

## Easy installation and harmonised solution

All components of the finger scanner / RFID reader are harmonised with the lock and fittings and can be fully integrated in the door, with the exception of the power supply. Of course, installation of the finger scanner on or in masonry is also possible. Depending on the area of application, finger scanners are available in different models. From new construction to retrofitting, the plug and play system is easy to install in and on various doors.

Intuitive operation by smartphone app



Your distinctive fingerprint guarantees secure access without a key





### **Intuitive user management**

Up to 99 stored fingerprints can be managed simply and clearly in the app. You always have an overview of access authorisations. In addition to the fingerprints, up to 99 RFID media, such as user IDs, key fobs or keys can be stored and managed in the app.



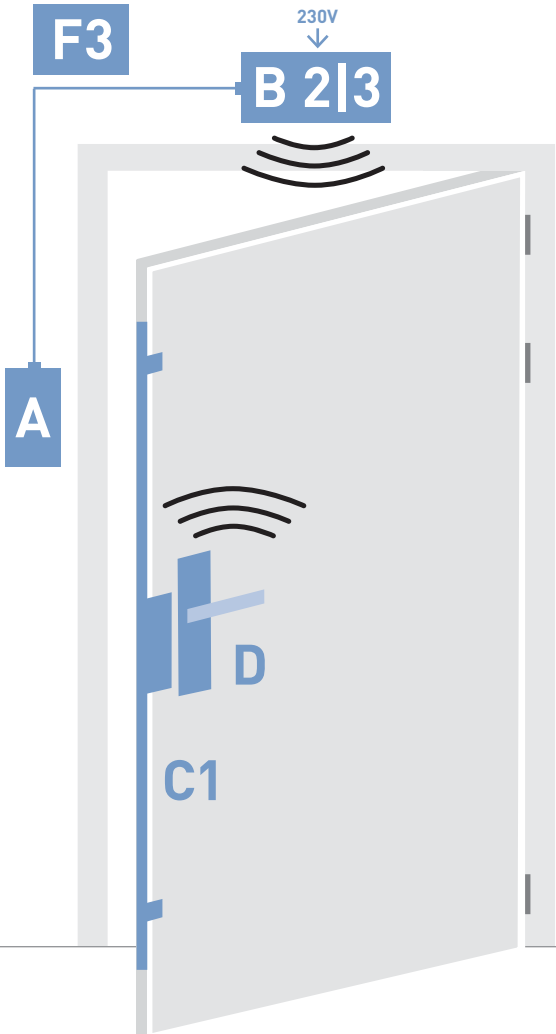
### **Advantages at a glance**

- Intuitive operation by smartphone app
- Ready-to-install set comprising control unit and power and data supply (Plug and Play)
- Integrated in the door or wall fixing
- No network connection required
- Suitable for MINT SVM with pull handle or MINT SV with eAccess door fitting

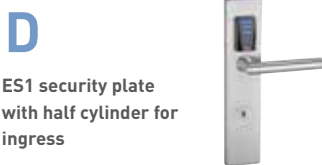
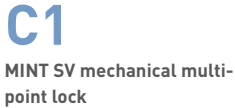
# Combination set

## Wireless solution

The combination set enables access by means of an external control unit, finger scanner and eAccess E protection fitting with handle actuation. The MINT SV mechanical multipoint lock assures additional security. There is no need to rework the door leaf for wiring. The simplest solution for new installations and retrofitting.



No door wiring

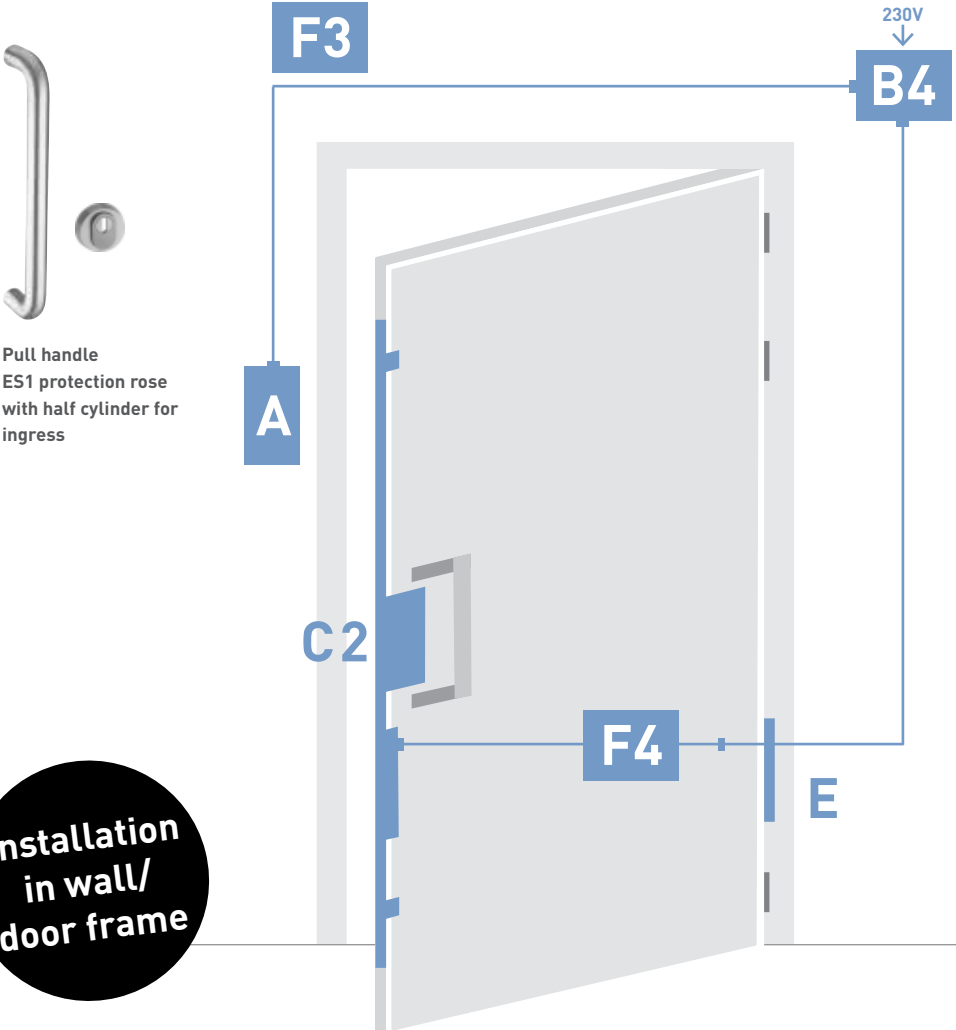


# Comfort set

## Individually installable

The simple system in combination with the motorised MINT SVM multipoint lock enables secure and comfortable access. The finger scanner is connected to the control unit by a cable and can be installed in the door frame or wall.

- A**  Finger scanner optionally with RFID
- B4**  MINI control unit 1 relay
- C2**  MINT SVM motorised multipoint lock
- F3**  Finger scanner cable for MINI control unit
- F4**  Adapter cable for MINT SVM
- E**  Concealed door loop with connecting cable



# Compact set

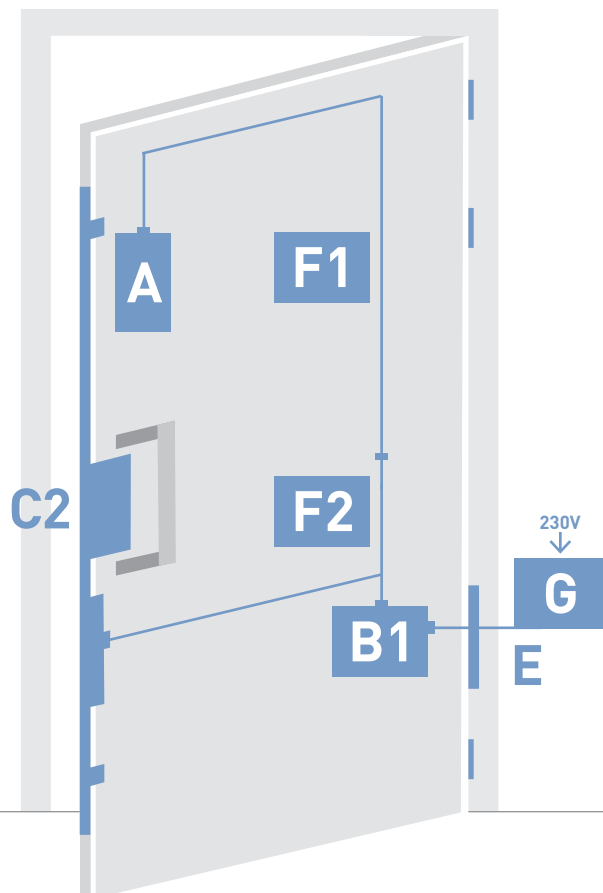
## The flush mounted door leaf solution

The complete system – from the finger scanner to the control unit and motorised multi-point lock – is installed in the door leaf.

As a result, no installation work outside of the door leaf is necessary, other than the power supply.



Pull handle  
ES1 protection rose  
with half cylinder for  
ingress



Everything  
in the  
door leaf

**A**

Finger scanner  
optionally with RFID



**B1**

Micro control unit



**C2**

MINT SVM motorised  
multipoint lock

**F1**

Finger scanner cable  
for micro control unit



**F2**

Finger scanner Y-cable  
for micro control unit



**E**

Concealed door loop  
with connecting cable



**G**

24A/230V  
power supply unit

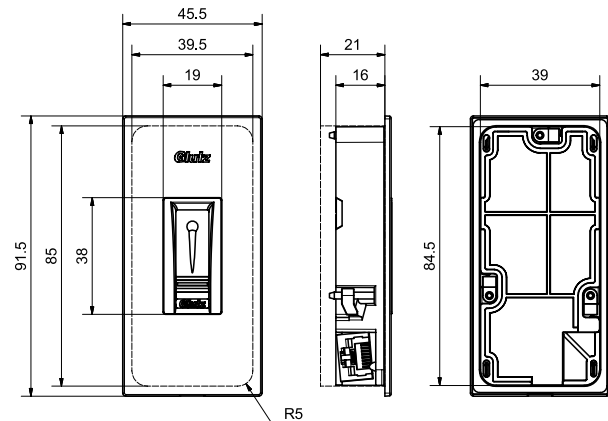






## 82700.0 Finger scanner

for flush-mounted, door leaf / Bluetooth



### Product profile

The home biometrics finger scanner is a biometric sensor terminal for detection of fingerprints with a line sensor.

This finger scanner has a Bluetooth interface for the smartphone app. The free smartphone app for iOS and Android makes it possible to manage users, devices and authorised persons from the smartphone. Installation in the door leaf or frame. A compatible control unit and the smartphone app are also required for operation.

### Standard version

- Finger line sensor
- Number of possible fingers: 99
- Size: 89.1 x 43.7 x 18.2mm (H x W x D)
- Colour: Black, satin stainless steel
- Power supply: 8-24 V DC, max. 3 W output
- Protection rating: IP54
- FAR: 1:10,000,000
- FRR: 1:100
- Typical recognition time 1 second
- Bluetooth 4.0

### Options

- 82700.1 Finger scanner UP, BT, RFID

### Scope of supply

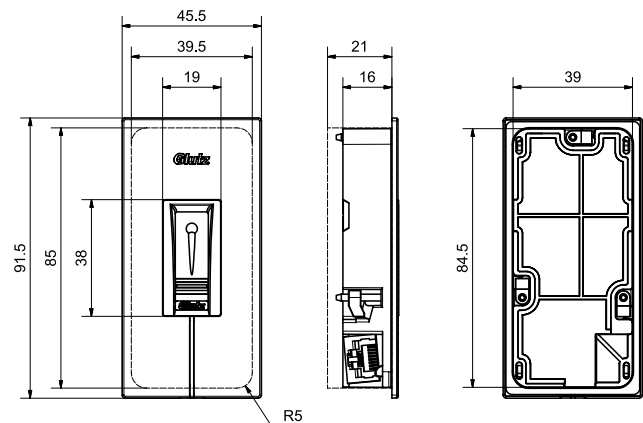
- Finger scanner with decorative element
- Screws for installation on wood

### Standards

- CE2004/108/EG, RoHs2011/65/EU
- EN60068, EN61000-6-2, EN61000-6-3, EN300330

## 82700.1 Finger scanner

for flush-mounted, door leaf / Bluetooth / RFID



### Product profile

The home biometrics finger scanner is a biometric sensor terminal for detection of fingerprints with a line sensor and for detection of RFID media.

This finger scanner has a Bluetooth interface for the smartphone app. The free smartphone app for iOS and Android makes it possible to manage users, devices and authorised persons from the smartphone. Installation in the door leaf or frame. A compatible control unit and the smartphone app are also required for operation

### Standard version

- Finger line sensor
- Number of possible fingers: 99
- RFID reader for ISO 14443 media (UID Mode)
- Size: 89.1 x 43.7 x 18.2mm (H x W x D)
- Colour: Black, satin stainless steel
- Power supply: 8-24 V DC, max. 3 W output
- Protection rating: IP54
- FAR: 1:10,000,000
- FRR: 1:100
- Typical recognition time 1 second
- Bluetooth 4.0

### Options

- 82700.0 Finger scanner UP, BT

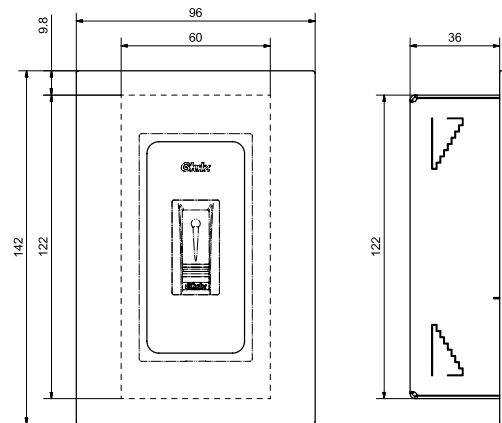
### Scope of supply

- Finger scanner with decorative element
- Screws for installation on wood

### Standards

- CE2004/108/EG, RoHs2011/65/EU
- EN60068, EN61000-6-2, EN61000-6-3, EN300330

## 82705 Flush-mounted installation kit for home biometrics, for masonry



### Product profile

Flush-mounted box for installation of the finger scanner (82700) in the masonry.

### Standard version

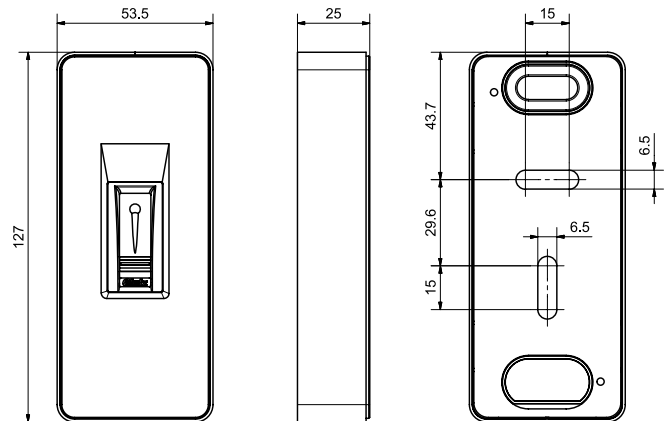
- Metal housing, galvanised
- Size: 60 x 122 x 36mm (W x H x D)
- Cover: 96 x 142 x 2mm (W x H x D)

### Scope of supply

- Installation kit
- Instruction manual

## 82710.0 Finger scanner

for surface installation / Bluetooth



### Product profile

The home biometrics finger scanner is a biometric sensor terminal for detection of fingerprints with a line sensor. This finger scanner has a Bluetooth interface for the smartphone app. The free smartphone app for iOS and Android makes it possible to manage users, devices and authorised persons from the smartphone. Installation in the door leaf or frame. A compatible control unit and the smartphone app are also required for operation.

### Standard version

- Finger line sensor
- Number of possible fingers: 99
- Size: 127 x 53.5 x 25mm (H x W x D)
- Colour: anthracite or white
- Power supply: 8-24 V DC, max. 3 W output
- Protection rating: IP54
- FAR: 1:10,000,000
- FRR: 1:100
- Typical recognition time 1 second
- Bluetooth 4.0

### Options

- 82710.1.0 anthracite
- 82710.1.1 white

- 82710.1 Finger scanner AP, BT, RFID

### Scope of supply

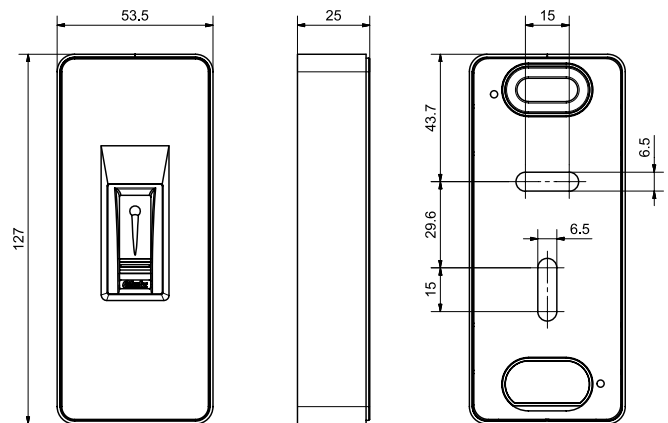
- Finger scanner BT, RFID
- Surface-mounted housing

### Standards

- CE2004/108/EG, RoHS2011/65/EU
- EN60068, EN61000-6-2, EN61000-6-3, EN300330

## 82710.1 Finger scanner

for surface installation / Bluetooth / RFID



### Product profile

The home biometrics finger scanner is a biometric sensor terminal for detection of fingerprints with a line sensor and for detection of RFID media.

This finger scanner has a Bluetooth interface for the smartphone app. The free smartphone app for iOS and Android makes it possible to manage users, devices and authorised persons from the smartphone. Installation on the frame or wall. A compatible control unit and the smartphone app are also required for operation.

### Standard version

- Finger line sensor
- RFID reader for ISO 14443 media (UID Mode)
- Number of possible fingers: 99
- Size: 127 x 53.5 x 25mm (H x W x D)
- Colour: anthracite or white
- Power supply: 8-24 V DC, max. 3 W output
- Protection rating: IP54
- FAR: 1:10,000,000
- FRR: 1:100
- Typical recognition time 1 second
- Bluetooth 4.0

### Options

- 82710.1.0 anthracite
- 82710.1.1 white
- 82710.0 Finger scanner AP, BT

### Scope of supply

- Finger scanner BT, RFID
- Surface-mounted housing

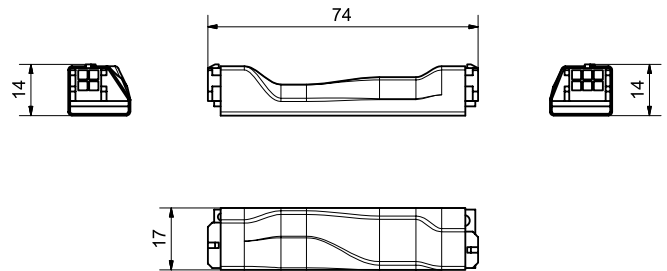
### Standards

- CE2004/108/EG, RoHS2011/65/EU
- EN60068, EN61000-6-2, EN61000-6-3, EN300330



## 82730 Micro control unit 1 relay

for Compact set, for installation in the door leaf



### Product profile

The micro control unit is designed for the opening of house doors, apartment doors, garage doors, etc.

The micro control unit is typically recessed in the door leaf and directly controls a corresponding motor lock. A compatible finger scanner and power supply unit are required for operation.

### Standard version

- Power supply: 8V - 24V DC ( $\pm 15\%$ ), max. 1.45 W
- Output: 24VDC, 2000mA
- Relay: Potential-free, max. 42V, 2000mA, switching time 3s
- Input: Digital input for remote opening
- Dimensions: 75mm x 17mm x 12mm (H x W x D)
- Climate conditions:  $-25^{\circ}\text{C}$  to  $60^{\circ}\text{C}$ , 90% rel
- Number of fingers: 99

### Scope of supply

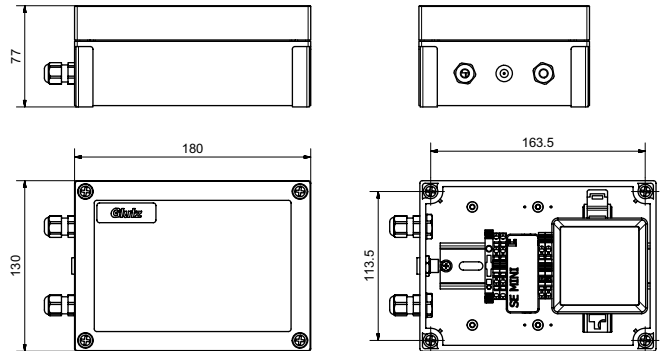
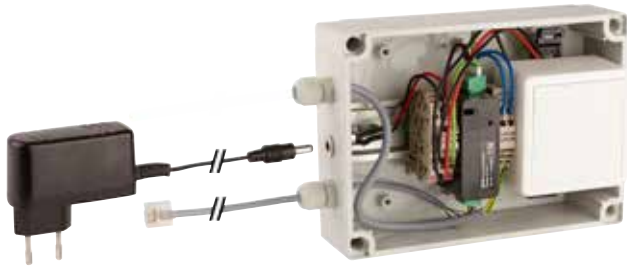
- Micro control unit
- Operating instructions

### Standards

- CE2004/108/EG, RoHs2011/65/EU
- EN61000-6-2, EN61000-6-3



## 82740 Mini control unit eAccess for Combination set, with plug-in power supply



### Product profile

The mini control unit is designed for control of an eAccess device with pairing.

The finger scanner is connected to the mini control unit

### Standard version

- Power supply: 230V or 24V DC, max. 15 W
- Input: Digital input for remote opening
- Dimensions: 77 mm x 180 mm x 130 mm (H x W x D)
- Climate conditions: -25°C to 60°C, 90% rel
- Number of fingers: 99
- Connecting cable for finger scanner (82721, 8m)

### Options

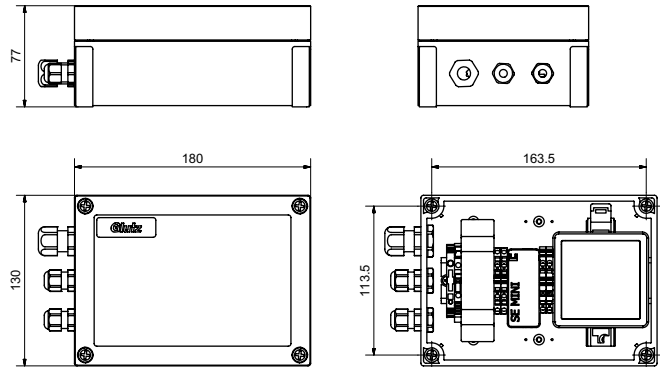
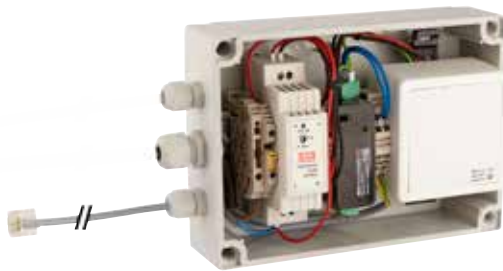
- 82741 mini control unit with top-hat rail power supply

### Scope of supply

- Mini control unit
- Plug-in power supply, 230V, 24 V DC
- Operating instructions

# 82741 Mini control unit eAccess

for Combination set, with integrated power supply



### Product profile

The mini control unit is designed for control of an eAccess device with pairing.  
The finger scanner is connected to the mini control unit

### Standard version

- Power supply: 230V, max. 15 W
- Input: Digital input for remote opening
- Dimensions: 77mm x 180mm x 130mm (H x W x D)
- Climate conditions: -25°C to 60°C, 90% rel
- Number of fingers: 99
- Connecting cable for finger scanner (82721, 8m)

### Options

- 82740 eAccess mini control unit with plug-in power supply

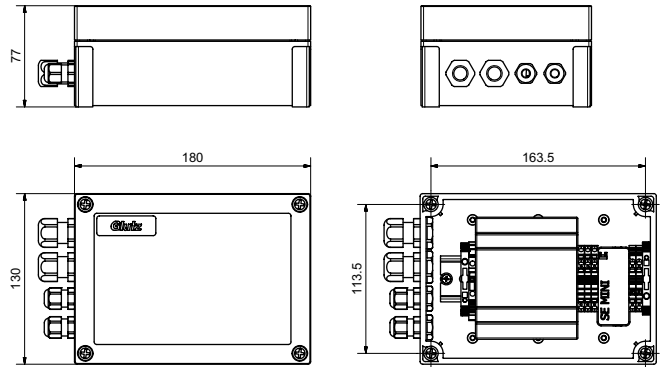
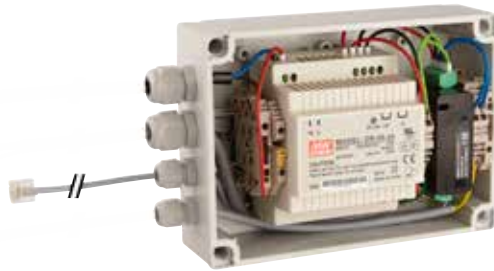
### Scope of supply

- Mini control unit
- Operating instructions

### Important note

Connection only by qualified persons (230V)

## 82745 Mini control unit 1 relay for Comfort set



### Product profile

The mini control unit is designed for the opening of house doors, apartment doors, garage doors, etc. The mini control unit is installed near the door and directly controls an appropriate motorised lock. A compatible finger scanner is required for operation.

### Standard version

- 230 V AC power supply
- Connection for motorised lock 24 V DC (cable not included in the scope of supply)
- Output current: max. 2.5 A
- Connecting cable for finger scanner (82721, 8m)

### Scope of supply

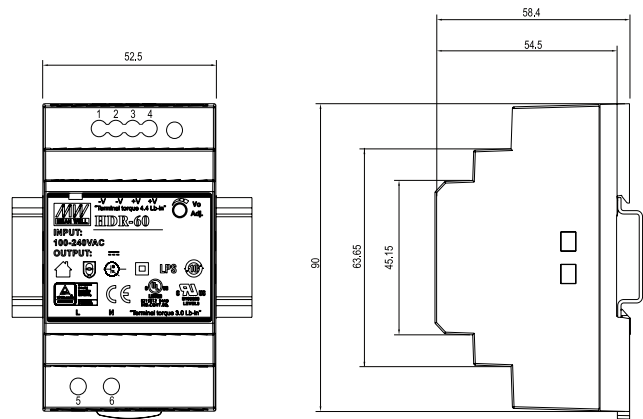
- Mini control unit
- Connecting cable for finger scanner (82721, 8m)
- Operating instructions

### Important note

Connection only by qualified persons (230V)

# 87305.24 Mains adapter

24 V DC / 60 W for DIN rail mounting



### Product profile

Switching power supply for DIN / top hat rail mounting

### Standard version

- Input voltage: 85-264 V AC
- Output voltage: 24 V DC, electronically regulated
- Output current: max. 2.5 A
- Power: 60 W
- Dimensions: 53 x 90 x 59 mm (W x H x D)



## 82720 Connecting cable

RJ45/CP35



### **Product profile**

4 pole connecting cable between finger scanner 82700 and micro control unit 82730.

### **Standard version**

- Cable length: 3m (Order no. 82720.3,0)

### **Options**

- Cable length: 1.2m (Order no. 82720.1,2)

## 82721 Connecting cable

RJ45/open



### **Product profile**

Connecting cable between finger scanner 82700 and micro control unit 82740, 82741.

### **Standard version**

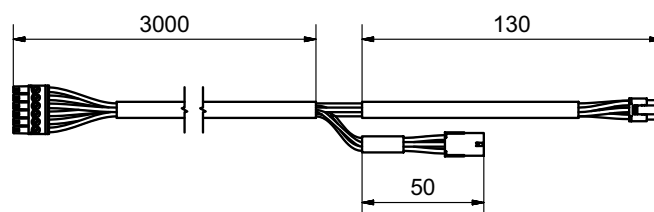
- Cable length: 8m (Order No. 82721.8,0)

### **Options**

- Cable length: 20m (Order No. 82721.20,0)

## 82722 Y-cable

between MINT-SVM, micro control unit and door loop



### Product profile

Y-cable for connection between 18947 MINT-SVM, 82730 micro control unit and 82760 concealed door loop

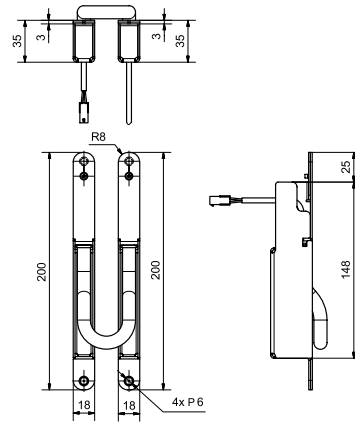
### Standard version

- Length to connection MINT SVM: 3m
- Length to connection door loop: 13cm
- Length to connection Micro control: 5 cm



## 82760 Concealed plug-in door loop

6-pin for motorised locks



### Product profile

Concealed door loop for motorised locks, such as MINT-SVM Eco and Pro.

A matching connecting cable is necessary for connection to the motor lock.

### Standard version

- 6 x 0.34mm<sup>2</sup> x 10m (Order No. 82760.10,0)
- 6-pin Molex plug, other end open

### Options

- Cable length: 20 m (Order No. 82760.20,0)

## 82761 Connection cable

between the 82760 concealed door loop and the 18947 MINT-SVM



### Standard version

- Cable length 3m (Order no. 82761.3,0)
- 6-pin Molex connector, 6-pin connector to MINT-SVM

### Options

- Cable length 1.2m (Order no. 82761.1,2)



**Glutz AG**

Segetzstrasse 13, 4502 Solothurn, Schweiz  
Tel. +41 32 625 65 20, Fax +41 32 625 65 35  
info@glutz.com, www.glutz.com

**Glutz Deutschland GmbH**

Schmalenhofer Strasse 61, 42551 Velbert, Deutschland  
Tel. +49 2051 8013 51-10, Fax +49 2051 8013 51-15  
info-de@glutz.com, www.glutz.com

**Glutz GmbH, Österreich**

St. Oswaldler Strasse 5c, 4293 Gutau, Österreich  
Tel. +43 7946 20506, Fax +43 7946 20506-10  
info-at@glutz.com, www.glutz.com

**Glutz UK Ltd.**

11 Finch Drive, Springwood Industrial Estate  
Braintree CM7 2SF, United Kingdom  
Tel. +44 1376 348 808, Fax +44 1376 348 848  
info-uk@glutz.com, www.glutz.com

**Glutz Singapore Pte Ltd.**

61 Ubi Avenue, #04-13, UB Point  
Singapore 408 941  
Tel. +65 6 55 44 111, Fax +65 6 55 44 610  
info-sg@glutz.com, www.glutz.com

V0517